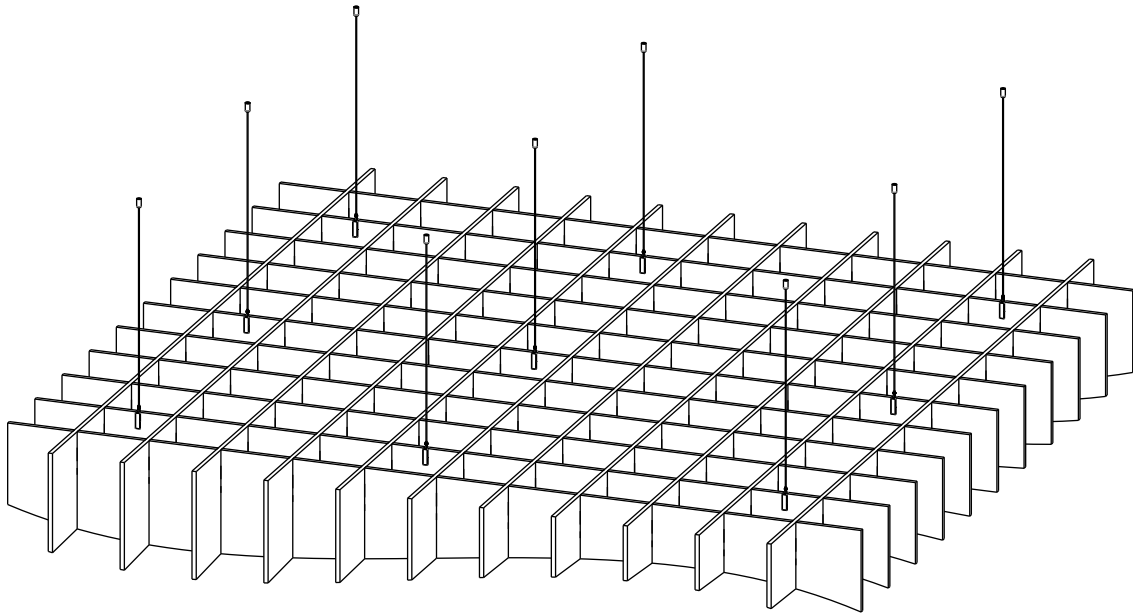
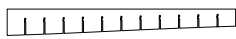


INSTALLATION INSTRUCTIONS

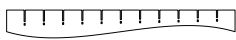
ACOUSTICAL NET



INSTALLATION HARDWARE



TOP FINS



BOTTOM FINS



UPPER SUSPENSION HOUSING
QUANTITY: 4U | CF6-01



CLAMP FOR EZOBORD
QUANTITY: 4U | CBG-C

*Images reflect typical hardware options. Please refer to packing list for items & quantities specific to your order

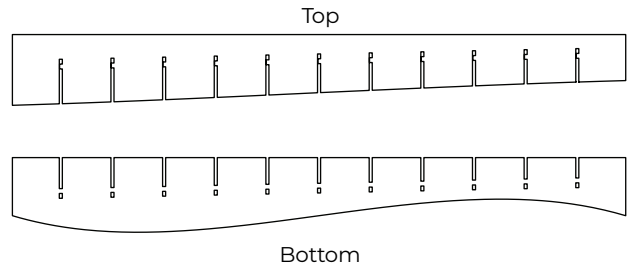
RECOMMENDED TOOLS

Drill - Level - Laser - Tape Measure - Allen Key

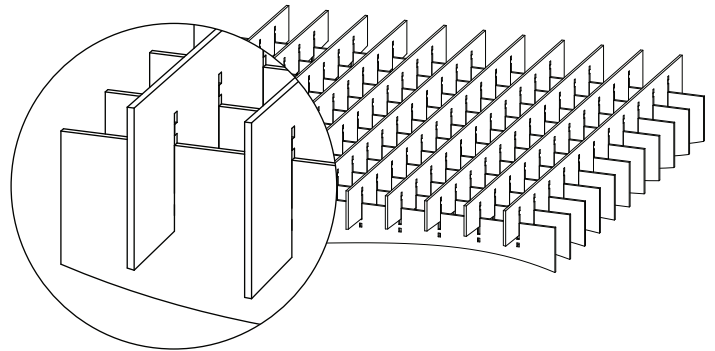
INSTALLATION INSTRUCTIONS

ACOUSTICAL NET

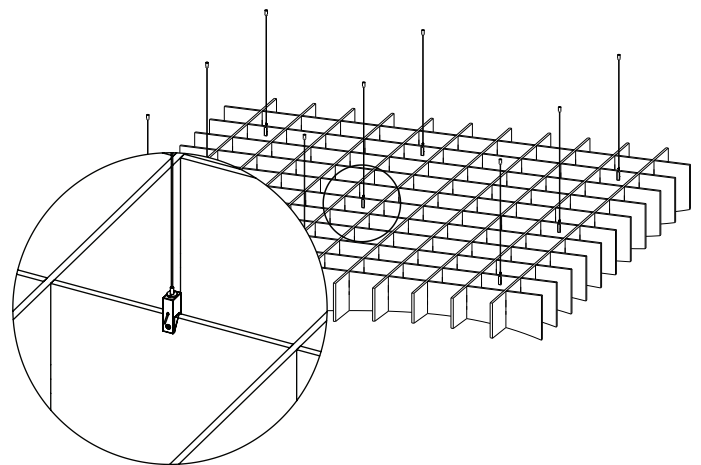
- 1** Clear appropriate sized floor space below install location
*For multiple modules confirm location with included plans
- 2** Unpackage and arrange fins in X and Y piles.



- 3** Begin assembling units by securing fins X and Y perpendicular to one another. **The completed unit should only be suspended from bottom fins.**



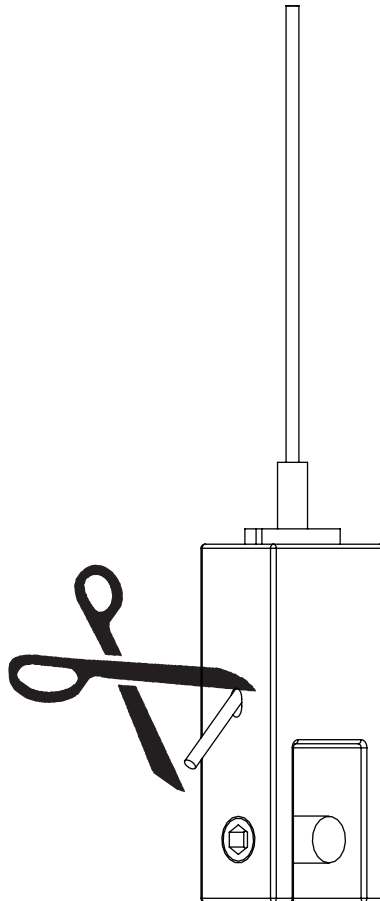
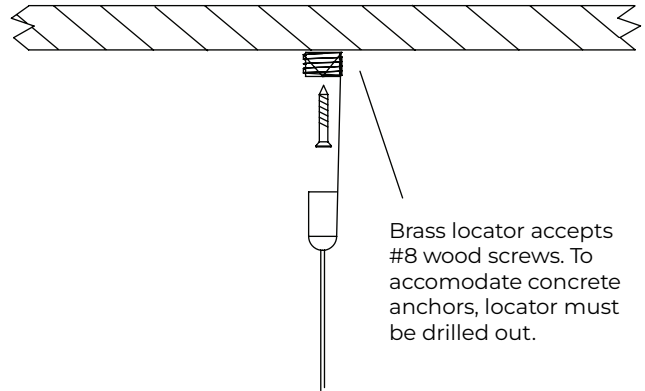
- 4** Determine suspension points on unit, ensuring these are evenly spaced noting suspension availability on ceiling above (Minimum four points with approximately 1 point per ten square feet).
- 5** Predrill holes for Ezo Clamps onto suspension points.



INSTALLATION INSTRUCTIONS

ACOUSTICAL NET

- 6** Mount brass locators securely to ceiling at locations corresponding to points on unit using substrate appropriate hardware (not supplied).
- 7** Thread top cap onto brass locator and hand tighten only.



- 8** Secure Ezo Clamps to predrilled holes
- 9** Raise unit to suspended cables and insert cables into Ezo Clamp. Depress top nozzle of Ezo Clamp to loosen, cable will lock when released
- 10** Use Ezo Clamps to level unit
*If overall acoustical net dimensions exceed 8' raise each module separately and secure dovetail ends once level
- 11** Trim excess cable
- 12** Manually adjust bottom edges to straighten grid

UNITED STATES

Ayrsonics Mid West LLC

170 Prairie Lake Rd
East Dundee, IL 60118
P: 1-800-517-0686
sales@mw.ayrsonics.com

Ayrsonics Southwest LLC

8934 Eton Ave
Canoga Park, CA 91304
213-833-9700
sales@sw.ayrsonics.com

Ayrsonics New England LLC

32 Hampshire Rd
Salem, NH 03079
P: 603-824-9338 ext. 3001
P: 603-327-4349
sales@ne.ayrsonics.com

CANADA

Ayrsonics Inc - Ontario

825 Trillium Drive
Kitchener, Ontario N2R 1J9
P: 1-844-441-1122
sales@ayrsonics.com

Ayrsonics Inc - Alberta

#9112 – 52nd St. S.E.
Calgary, Alberta T2C 5A9
P: 1-844-441-1122
sales@ayrsonics.com

EzoBord Corporate Office

6845 Rexwood Road,
Unit 7 Mississauga,
ON L4V 1S5 Canada
+1 416 665 3571
info@ezobord.com

CENTRAL & LATIN AMERICA

EzoBord Costa Rica SRL

100 Sur 25 Oeste Recope
Bodega #18 Ochomogo, Cartago
+506 8842 4613
info-latam@ezobord.com

EzoBord - LATAM

Buenos Aires, Argentina
+54 9 11 5657 1793
info-latam@ezobord.com

UNITED KINGDOM

EzoBord UK Ltd

Unit 20 Westwood Business Park
Margate, Kent. CT9 4JJ
+44 1843 264027
sales@ezobord.co.uk

IRELAND

EzoBord Ireland

Unit 523, Greenogue Business Park
Rathcoole, Co. Dublin D24 RY89
+353 (0)1 443 3599
sales@ezobord.ie

FOLLOW US

